

The data should be read in conjunction with the 2-electrode Spark Gap Preamble.

DESCRIPTION

The GXY Series of 2-electrode spark gaps are gas discharge tubes, hermetically sealed in a ceramic/metal envelope. Tubes with a DC breakdown voltage in the range 3 to 30 kV are available. This is signified by a numeral or numerals following the type letters and is expressed in hundreds of volts, i.e. the range of available types is from GXY30 (3 kV) to GXY300 (30 kV).

TYPICAL APPLICATIONS

- Single-shot pulse generators
- Voltage surge protection circuits
- High energy switches

ELECTRICAL AND PHYSICAL CHARACTERISTICS

All ratings given in this data sheet are absolute, non-simultaneous ratings. It is the equipment designer's responsibility to ensure that they are not exceeded. The spark gap life depends on circuit conditions such as peak discharge current and duration, charge transfer per discharge and the repetition rate.

DC breakdown voltage range	3 to 30 kV
Breakdown voltage tolerance	0 to +10%
Peak current, single discharge, underdamped, 4 μ s/cycle	120 kA max
Charge transfer, single discharge, underdamped, 4 μ s/cycle	0.5 C max
Cumulative charge transfer, 25 mC per discharge, 4 Hz, 3.8 kA peak current underdamped	25 000 C
Capacitance	5.0 pF max
Operating temperature	-40 to +200 °C
Mechanical shock, half sine	40 g for 6 ms
Mounting	screw mounted, any orientation
Net weight	140 g approx

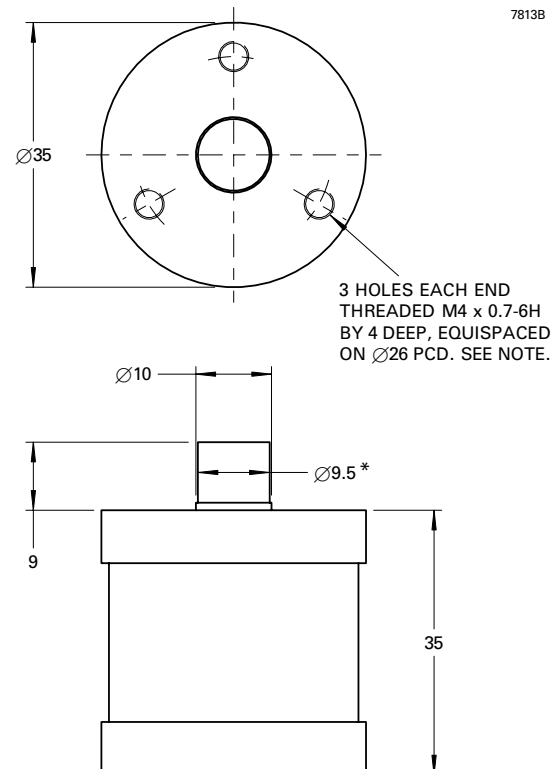
Outline Notes

The holes at each end are in the same angular position to within $\pm 5^\circ$; **one end must be flexibly connected.**

* **Do not clamp or connect to this cover.**



OUTLINE (Maximum dimensions in millimetres)



Whilst e2v technologies has taken care to ensure the accuracy of the information contained herein it accepts no responsibility for the consequences of any use thereof and also reserves the right to change the specification of goods without notice. e2v technologies accepts no liability beyond that set out in its standard conditions of sale in respect of infringement of third party patents arising from the use of tubes or other devices in accordance with information contained herein.

e2v technologies limited, Waterhouse Lane, Chelmsford, Essex CM1 2QU England Telephone: +44 (0)1245 493493 Facsimile: +44 (0)1245 492492
e-mail: enquiries@e2vtechnologies.com Internet: www.e2vtechnologies.com Holding Company: e2v holdings limited

e2v technologies inc. 4 Westchester Plaza, PO Box 1482, Elmsford, NY10523-1482 USA Telephone: (914) 592-6050 Facsimile: (914) 592-5148
e-mail: enquiries@e2vtechnologies.us