

FEATURING

- **Plug-in Tube** IOT plugs into a factory-assembled input and output cavity system.
- **Operable as a Digital or an Analogue Amplifier**
- **Output Power** Specified as a digital amplifier for corrected average powers in excess of 30 kW. Rated as a common amplifier from 55 kW peak sync. vision plus 5.5 kW single carrier aural to 77 kW peak sync. vision plus 7.7 kW single carrier aural. Rated as a vision amplifier from 66 to 88 kW.
- **Frequency Range** 470 to 810 MHz (Bands IV and V) in a single tube and circuit.
- **Fast Tube Exchange** Continuously tunable external cavities, with digital frequency indicators. A replacement tube will be coarse tuned on installation, needing only trimming adjustments. The tube plugs in simply and the exchange can be undertaken safely and quickly by a single operator.
- **Simple, Efficient Cooling** Air-cooled cavities and gun. Liquid cooled body and collector.
- **Easy to Tune Input Cavity** Input cavity has a single tuning control and a single matching control. No additional matching components required.
- **Grounded Collector and Ion Pump Body**
- **Long Life** High reliability electron gun with barium aluminate cathode and pyrolytic graphite grid.
- **All Ceramics Aluminium Oxide** No beryllium oxide hazard.

DESCRIPTION

IOTD3130W is a high efficiency plug-in Inductive Output Tube amplifier for use in the output stage of transmitters in UHF television service.

The IOT has an electromagnetically focused electron beam which is density bunched using a rugged grid driven by an RF input cavity. The IOT beam power varies with the instantaneous output power.

The circuit is shipped with all input and output cavities fully assembled. If the required channel is known, the circuit can be shipped coarse tuned to the channel. Tube installation can be undertaken by a single operator. All electron gun and RF connections are made automatically upon insertion of the tube into the circuit assembly; therefore tube installation time is minimised. The IOT can be removed from the complete circuit assembly without removing any of the cavities. A replacement IOT is coarse tuned at switch-on and requires only trimming adjustments. A feature of the cavity design is that tuning of each output cavity is by means of a single control. A numerical indication of the cavity frequency is provided.



The electron gun and cavities require forced-air cooling; the circuit assembly incorporates a distribution manifold with a single air inlet. The cooling air must be adequately filtered to avoid electrostatic precipitation of dust on insulators.

The IOT collector and body are liquid cooled and the exit coolant must be led to a separate heat exchanger (not supplied).

ABRIDGED DATA

Frequency range	470 to 810	MHz
Power gain (see note 1)	20.5 to 23	dB
Beam voltage	30 to 38	kV

Digital

Peak output power at IOT flange.	up to 145	kW
Average output power (corrected) (see note 2)	up to 35	kW

Analogue

Output power (common amplification) (see note 3)	up to 77 kW vision + 7.7 kW aural	
Output power (vision only)	up to 88	kW

GENERAL

Electrical

Cathode	indirectly heated
Heater voltage (see note 4)	5.75 to 6.5 V dc
Heater current range	25 to 30 A dc
Cathode pre-heating time	5 minutes
Ion pump to ground voltage	+3.0 to 4.0 kV
Internal impedance of ion pump supply	500 kΩ minimum

Mechanical

Overall length	81.35 cm (32.03 inches) nom
Overall diameter	17.3 cm (6.81 inches) nom
Mounting position	vertical, collector end up
Net weight of IOT	28 kg (61.7 pounds) approx
Net weight of circuit assembly	105 kg (231.5 pounds) approx

Circuit Assembly IMD3000W

Electromagnet voltage	4.5 to 7.0	V
Electromagnet current	26 to 28	A
RF input connector	type N coaxial (female)	
RF output	3 1/8 inch 50 Ω coaxial line	

Cooling

Air flow to cavities and cathode terminal (see note 5)	3.0	m ³ /min
	106.0	cfm
Static pressure head (see note 6)	1.951	kPa
	7.75	inches w.g.
Inlet air temperature	60	°C max
Minimum water flow required for collector at maximum output power (see page 10)	50	l/min
	13.2	US gal/min
Collector pressure drop at 50 l/min	276	kPa
	40	psi
Minimum anode cooling required (supplied via frame)	6 l/min at 138 kPa	
	1.59 US gal/min at 20 psi	
Inlet pressure	483	kPa max
	70	psi max
Water outlet temperature	75	°C max
Water inlet temperature	55	°C max

Tube Protection

Arc detector type MA257E is fitted to each of the primary and secondary output cavities. The beam voltage and drive power must be removed within 100 ms of an arc being established.

Photo-resistor type	VT43N2
Minimum dark resistance	300 kΩ
Resistance at 10 lux	8 to 24 kΩ
Maximum voltage (peak)	250 V
Maximum temperature	75 °C
Test lamp	24 V
	0.04 A
Connections	see page 9

MAXIMUM RATINGS

The transmitter must be provided with a fast disconnect circuit which operates in the event of an internal arc (see note 7). If the maximum rating for any of the parameters listed below is exceeded, the beam voltage must be removed within 100 ms from the instant at which the rating is exceeded. In either case, the beam voltage must not be re-applied within 5 seconds.

Heater starting current (peak)	60	A
Beam voltage (see note 8)	40	kV
Quiescent current	800	mA
Collector dissipation	70	kW
Load VSWR (see note 9)	1.5:1	
Temperature of any part of tube envelope	130	°C
Grid to cathode bias voltage	-250	V dc
Grid current	±150	mA
Ion pump current (beam on) (see note 10)	20	μA

Digital

Beam current (mean)	3.0	A
Peak drive power (see note 11)	1.8	kW
Average drive power	450	W
Average output power:		
corrected	35	kW
uncorrected (setup only)	40	kW

Analogue

Beam current (sync.)	5.0	A
Drive power (peak sync.) (see note 11).	1100	W
Peak sync. vision only output power	88	kW
Instantaneous peak RF output power (see note 12):		
when operating at 38 kV.	140	kW
when operating at 35 kV.	120	kW
when operating at 32 kV.	95	kW
when operating at 30 kV.	80	kW

Other Ratings

Minimum quiescent current	100	mA
Altitude (see note 5)	up to 2286	m
	up to 7500	ft
X-ray radiation (see Health and Safety Hazards, page 5)	2	μSv/hr

TYPICAL OPERATION – Digital

(See note 12)

Peak output power	105	120	140	kW
Average output power	24.5	28	32	kW
Peak input power	950	1100	1300	W
Average input power	150	175	200	W
Beam voltage (see note 13)	33	35	36	kV
Beam current (average)	1.95	2.05	2.25	A
Quiescent beam current	600	600	700	mA
Grid bias voltage with respect to cathode	see note 14			
Uncorrected output sideband level (see note 15)	43	43	43	dB
Efficiency	38	39	40	%

TYPICAL OPERATION – Analogue

(System G)

Common Amplifier Service (Mono Sound)

(See notes 3 and 16)

Visual output power (peak sync.)	55	66	77	kW
Aural output power	5.5	6.6	7.7	kW
Instantaneous peak sync. output power	95	114	133	kW
Beam voltage	32.5	35	36	kV
Quiescent beam current	600	600	600	mA
Grid bias voltage with respect to cathode voltage	see note 14			
Beam current (peak sync.)	3.4	3.8	4.0	A
Beam current (black + sync. + aural)	2.4	2.6	3.0	A
Drive power (vision peak sync.)	425	500	575	W
Drive power (aural)	50	55	60	W
Figure of Merit (see note 17)	100	105	110	%

Visual Service

Output power (peak sync.)	66	77	88	kW
Beam voltage	30	32	35	kV
Beam current (peak sync.)	4.0	4.4	4.6	A
Beam current (black level)	2.7	3.0	3.1	A
Beam current (grey level)	2.0	2.1	2.1	A
Quiescent beam current	600	600	600	mA
Grid bias voltage with respect to cathode voltage	see note 14			
Drive power (peak sync.)	525	575	650	W
Conversion efficiency (peak sync.)	55	55	55	%
Figure of Merit (see note 18)	105	110	115	%

NOTES

1. In digital operation, the peak gain is typically 20.5 dB and the average gain is typically 22.5 dB.
2. The available corrected output power varies slightly as a function of frequency. The relationship is shown in Fig. 1.

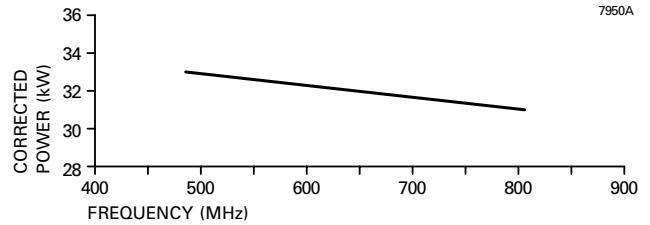


Fig. 1. IOTD3130W typical power characteristic

3. Common amplifier service is the use of a single IOT to transmit both the visual and aural services. The data assumes that a single sound carrier is being transmitted. The peak instantaneous RF output for mono sound is calculated by the formula:

$$P = V (1 + \sqrt{A})^2$$

where P is the peak RF output power, V is the peak sync. visual output power and A is the ratio of aural power to peak sync. visual power.

If two aural carriers are to be transmitted, the peak instantaneous RF output power is calculated by the formula:

$$P = V (1 + \sqrt{A} + \sqrt{S})^2$$

where S is the ratio of second aural carrier power to peak sync. visual power.

4. **Heater Voltage**

The actual heater voltage to be used on a particular IOTD3130W is advised with the tube. The heater voltage should be stabilised to within ± 0.15 V of the recommended value. Re-entrant cables are provided to monitor this voltage.

Passive Standby and Quick-Start Modes

Passive standby is defined as any time period exceeding 30 minutes when the IOT is operated without beam voltage present but with the heater powered. The ion pump and all cooling must be operated normally in this situation.

Where an IOT is being used in a passive standby transmitter, several options exist for the mode of IOT passive operation:

Background Heat Passive Standby Mode

The IOTD3130W must be operated with a Background Heat filament voltage 0.75 V less than the nominal heater voltage advised on the test record for a particular IOT, and in no circumstances should the Background Heat heater voltage be less than 5.0 V.

If a passive standby transmitter is needed for transmission, the heater voltage should be raised to its rated value and other auxiliary supplies activated. Provided that the grid bias voltage is present, the beam voltage and RF drive may be applied to the tube simultaneously. Precautions must be taken to ensure that the IOT is not overdriven, for example by disabling the transmitter a.g.c. system for a period of about five minutes.

Background heat must have been applied for at least 30 minutes from cold start before the transmitter can be considered available for transmission. Alternatively, both "Active" and "Standby" transmitters may be started from cold using the normal start procedure. The "Standby" transmitter is then switched to Background Heat and is available to take over transmission if required.

Where Background Heat Passive Reserve is the normal operating mode with a pair of identical transmitters, the transmitter designated as "Standby" must become the "Active" transmitter after a period not exceeding 14 days and must remain designated "Active" for a period of not less than 7 days.

If a hydrogen thyratron crowbar is used in the "Standby" transmitter it should be permanently powered to full operational status.

Filament hours accumulated under Background Heat conditions do not normally count as warranty hours, provided that the above conditions are met and that there are proper means to distinguish Background Heat hours from normal heater hours.

"Soft Start"

It is recommended that a "soft start" procedure should be used in the application of the RF drive when the IOT is powered either from cold or from background heat.

The RF drive may be applied simultaneously with the beam voltage and with a typical rise time of 4 seconds.

Near-instantaneous Start – Quiescent Passive Standby

A nearly instantaneous start from standby can be achieved by operating the "Standby" transmitter in a quiescent passive standby mode where the RF drive only is removed from the IOT and the tube operates with the normal beam voltage applied. The tube draws a quiescent current (which may be lower than the normal value). This slightly reduces overall system efficiency, but ensures that the standby tube is maintained in good condition and is available for near-instant start, subject to normal soft start conditions.

The minimum quiescent current that should be used in this mode is 100 mA. This will ensure the tube maintains a good vacuum and life in standby mode.

Mains Interruptions

If mains power is absent for less than or equal to 20 seconds, then the transmitter may be re-powered immediately, provided that the transmitter logic is active and the power supplies are therefore re-applied in the correct order.

If mains power is absent for between 20 seconds and 5 minutes, then heater voltage should be re-applied for an equal length of time, before attempting to re-power the IOT, which should then be powered in the normal way.

If mains power is absent for more than 5 minutes, then normal cold start-up procedures should be followed.

5. The air flow value applies to transmitters at sea level where the air density is 1.22 kg/m^3 (0.076 lb/ft^3). At high altitudes, where the air density is reduced, the volume flow must be increased in the ratio of air density at sea level to air density at altitude in order to maintain the mass flow. See e2v technologies technical note TVB-TN01. For operation above 2286 m, contact e2v technologies.
6. Measured at the input monitor pipe to the circuit assembly.
7. The transmitter must be able to protect both the IOT and itself from damage in the event of an internal arc within the IOT. In such an event, the beam power must be removed from the IOT to limit the energy dissipated within it to less than 20 J. This can be achieved, for example, by the use of a crowbar circuit or a solid-state, high frequency beam voltage power supply. e2v technologies is able to supply a suitable hydrogen thyratron equipped crowbar designed

expressly for use with IOTs. Details will be provided upon request. Users of IOTs should consult their transmitter manufacturer for details of the system employed in particular equipments.

8. The high voltage power supply must be designed and connected to the IOT at start-up in such a way that high voltage overshoots are minimised and do not exceed the stated maximum.
9. Typical operating performance will be obtained for a load VSWR of less than 1.1:1. The tube will not sustain damage for a load VSWR of less than 1.5:1.
10. To enable the IOTD3130W to plug in to its input cavity, the ion pump, used to monitor the vacuum condition, has been moved from the electron gun, where it would have operated at cathode potential, to the collector, so that it operates at ground potential. Therefore the ion pump voltage must be supplied from a source with its negative terminal at ground potential.

In transmitters designed to operate earlier generation IOTs (with the ion pump fitted to the gun), the negative terminal of the ion pump supply is at cathode potential (i.e. negative high voltage). It is not possible, without modification, to operate an ion pump in these transmitters with its negative terminal grounded. In this case, the operator may either modify the ion pump circuitry, or operate the tube **without** connecting the ion pump which, normally, will not compromise the service life of the tube. However, users should be aware that it may be difficult to establish a valid claim under the tube warranty if it is damaged in any way which could have been prevented by using an executive, interlocked ion current monitor.

11. Protection circuits in the transmitter must ensure that it is not possible for RF drive power to be applied to the IOT in the absence of beam voltage. Failure to do so may result in serious damage to the IOT.
12. The tube can amplify either European (COFDM) or US (8-VSB) system digital signals. The typical data shown is for 8-VSB operation with a peak-to-average digital power ratio of 6.3 dB.
Operation under COFDM conditions necessitates a much higher peak-to-average ratio, and this results in a reduction of the average power whilst maintaining the peak power at the same value as for 8-VSB.
13. At the higher channels in the UHF range, a beam voltage of up to 38 kV may be required to achieve an average digital power of 31 kW and a peak digital power of 130 kW.
14. Grid bias should be provided by a stable regulated power supply, adjustable over the range 50 to 250 V, negative with respect to cathode voltage. Adjust to provide the required quiescent current. The supply should be able to sink or source grid current, and be smoothed to better than 0.5%.
15. Sideband amplitude is measured in accordance with the FCC integrated power method.
16. Intermodulation products produced by the IOT under common amplifier conditions can be reduced further by suitable pre-correction circuitry in the transmitter.
Typically, the IOT will not introduce intermodulation products with an amplitude in excess of -45 dB with respect to peak sync. vision carrier when driven by a 40 IRE (250 mV) modulated ramp and single aural carrier at -10 dB with respect to peak sync. vision carrier.

17. The Figure of Merit (FOM) is calculated as:

$$\text{FOM} = \frac{P_V + P_A}{\text{beam power}} \times 100\%$$

where P_V is the peak sync. vision power, P_A is the aural power and the beam power is the beam power used when the visual signal consists of a mid-grey picture and syncs. Mid-grey is defined as the video voltage half way between black and white for the particular standard being used.

The FOM is a function of the bandwidth required from the IOT output circuit. The following data are typical of FOMs for different TV standards, in common amplifier mode.

TV Standard	Bandwidth (MHz)	FOM (%)
M	6	115
G	7	110
I	8	95

18. The Figure of Merit (FOM) is calculated as:

$$\text{FOM} = \frac{P_V}{\text{beam power}} \times 100\%$$

where P_V is the peak sync. vision power and the beam power is the beam power used when the visual signal consists of a mid-grey picture and syncs. Mid-grey is defined as the video voltage half way between black and white for the particular standard being used.

The FOM is a function of the bandwidth required from the IOT output circuit. The following data are typical of FOMs for different TV standards, in vision-only mode.

TV Standard	Bandwidth (MHz)	FOM (%)
M	6	120
G	7	115
I	8	110

HEALTH AND SAFETY HAZARDS

High power IOTs can be hazardous to life and health if they are not installed, operated and maintained correctly, or if a tube is damaged. e2v technologies does not accept responsibility for damage or injury resulting from the use of e2v technologies tubes. Equipment manufacturers and IOT users should ensure that precautions are taken. Appropriate warning labels and notices must be provided on equipment incorporating IOTs and in operating manuals.



High Voltage

Equipment must be designed so that operators cannot come into contact with high voltage circuits. IOT enclosures should have fail-safe interlocked switches to disconnect the primary power supply and discharge all high voltage capacitors before allowing access.



RF Radiation

Personnel must not be exposed to excessive RF radiation. All RF connectors and cavities must be correctly fitted before operation, so that there is no leakage of RF energy. IOTs must not be operated without a suitable RF load at the output cavity and coupler. It is particularly dangerous to look into open waveguide or coaxial feeders, or transmitter antennae.



X-Ray Radiation

All high voltage devices produce X-rays during operation and may require shielding. When e2v technologies IOTs are operated normally with the RF cavities fitted, some protection is provided but further shielding may be required. A suitably designed equipment cabinet will provide sufficient additional shielding. However, it is strongly recommended that all complete equipments containing operating IOT systems should be measured to establish that external X-ray levels comply with local regulations.



Mechanical

The circuit assembly has been designed to occupy the minimum of floor space in the transmitter. The wheel base is, therefore, short in relation to the height of the assembly, which has a high centre of gravity. Care is required when wheeling the magnet frame, and in particular, the IOT assembled in the magnet frame, over uneven surfaces or gradients which could cause the assembly to overbalance.



Hot Surfaces

Surfaces of tubes (for example the input cavity and the tube envelope in the gun region) can reach high temperatures during operation and may remain at a high temperature for a considerable time after switch-off. Burns may be sustained if direct contact is made with hot surfaces.



Toxic

IOTs and ESCIOTs all contain industry standard cathode assemblies as part of the electron gun. The cathode assembly contains small quantities of various refractory metals. In normal operation, the presence of these materials requires no special precautions as they are sealed in vacuum. However, in the event of a catastrophic tube failure, resulting in loss of vacuum and exposure of a hot cathode to the atmosphere, these metals can form volatile oxides that are potentially hazardous to health. In such circumstances, operators should avoid inhaling vapours in close proximity to the tube and allow it to cool to room temperature before removing it from equipment. Broken tubes should be repacked carefully in their original packaging and returned to e2v technologies for safe disposal.

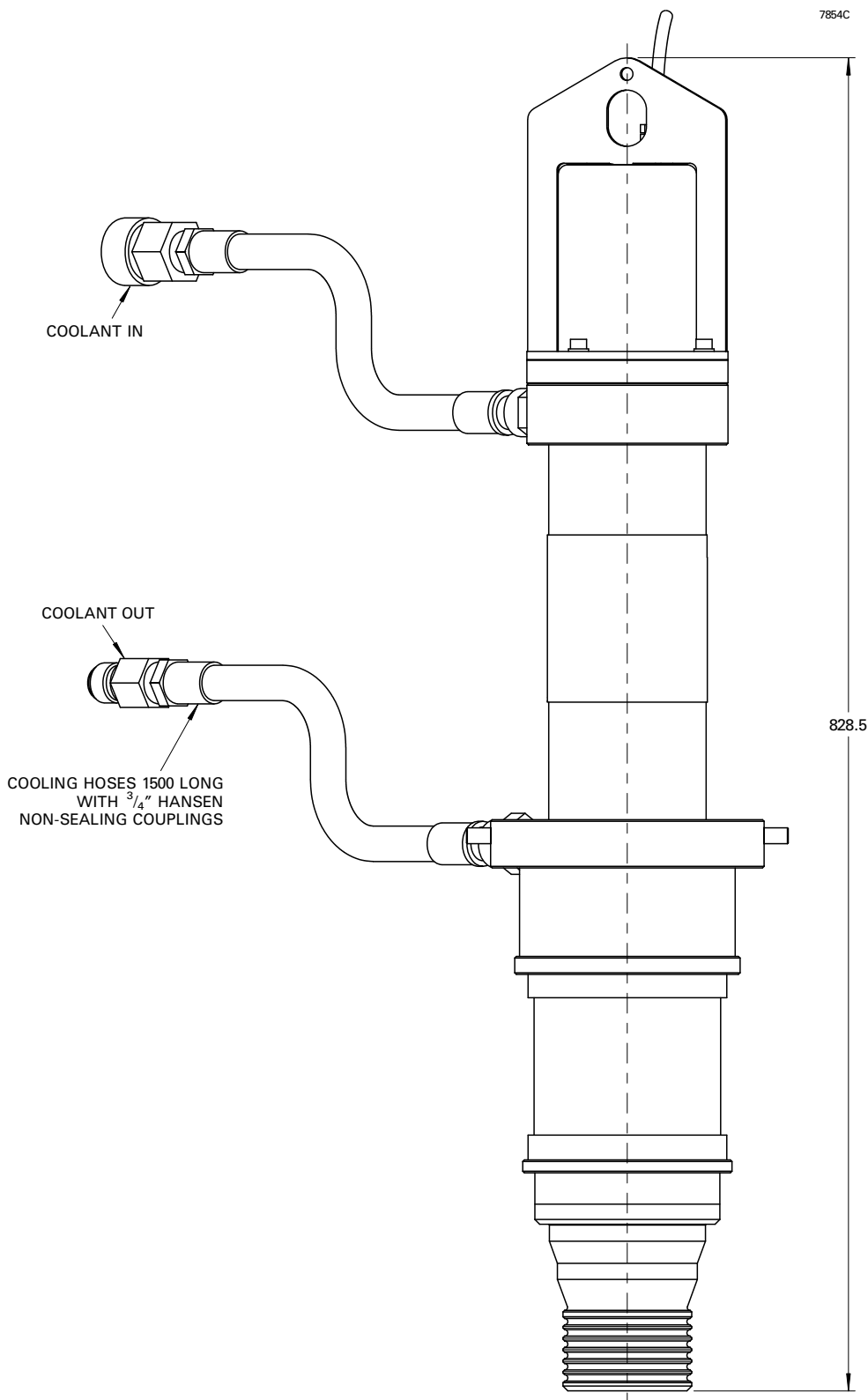


Corrosive

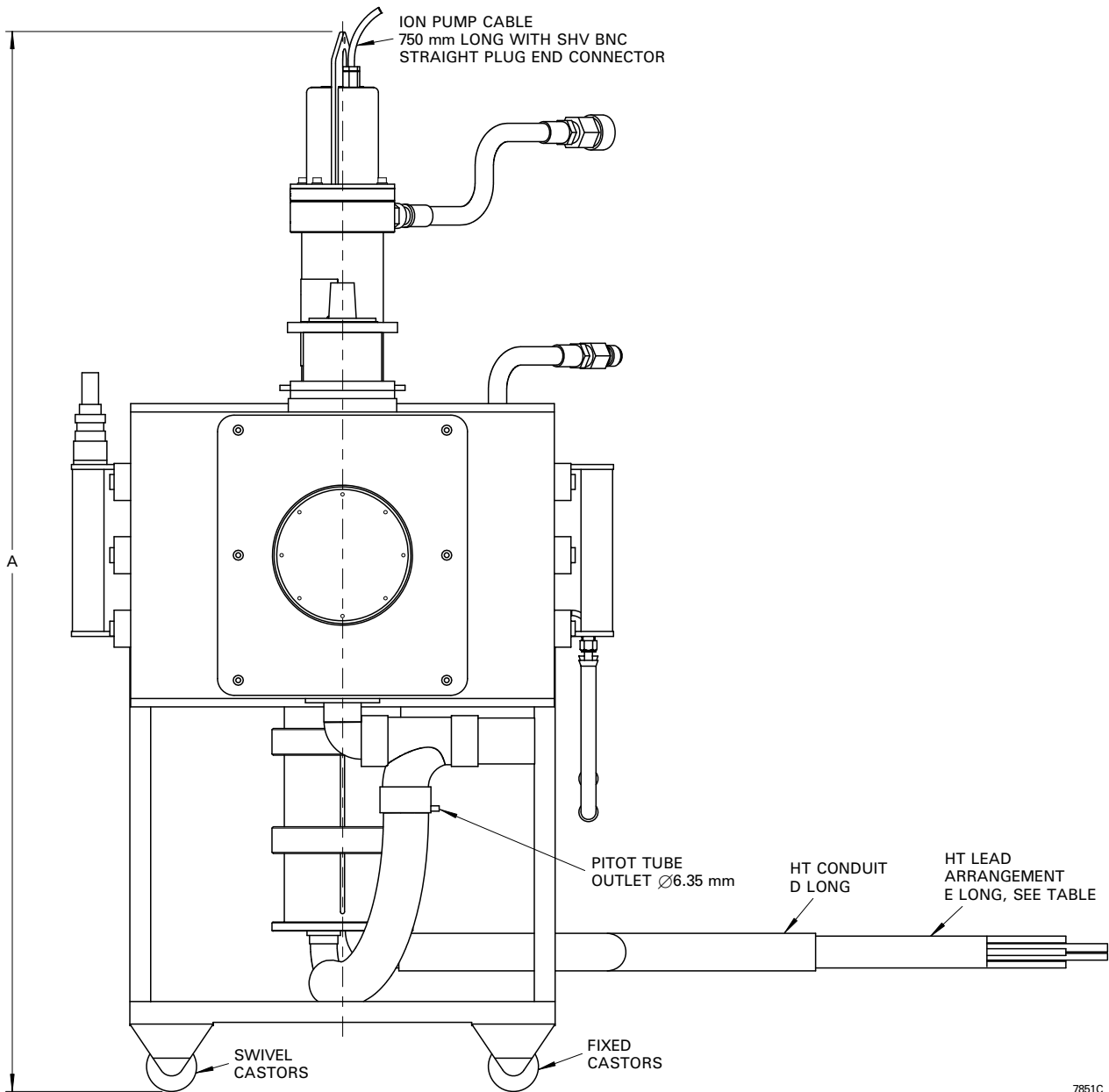
The tube is supplied with Viton[®] O-rings between the collector and collector hoses. In the unlikely event that the collector cooling circuit loses coolant, or the tube is operated without any coolant, then there is the possibility that the temperature of the Viton[®] O-rings could exceed 316 °C (600 °F). Above this temperature, the material starts to decompose; toxic and corrosive vapours are evolved, including hydrogen fluoride, carbonyl fluoride and carbon monoxide. During all work on suspect components, safety glasses and Neoprene gloves must be worn. In the event of accidental contact of decomposed Viton[®] with the skin, wash the area under plenty of running water and obtain medical assistance.

Viton[®] is a registered trademark of DuPont.

OUTLINE OF IOTD3130W
(Dimensions nominal and in millimetres)



OUTLINE OF CIRCUIT ASSEMBLY IMD3130W
(All dimensions nominal)

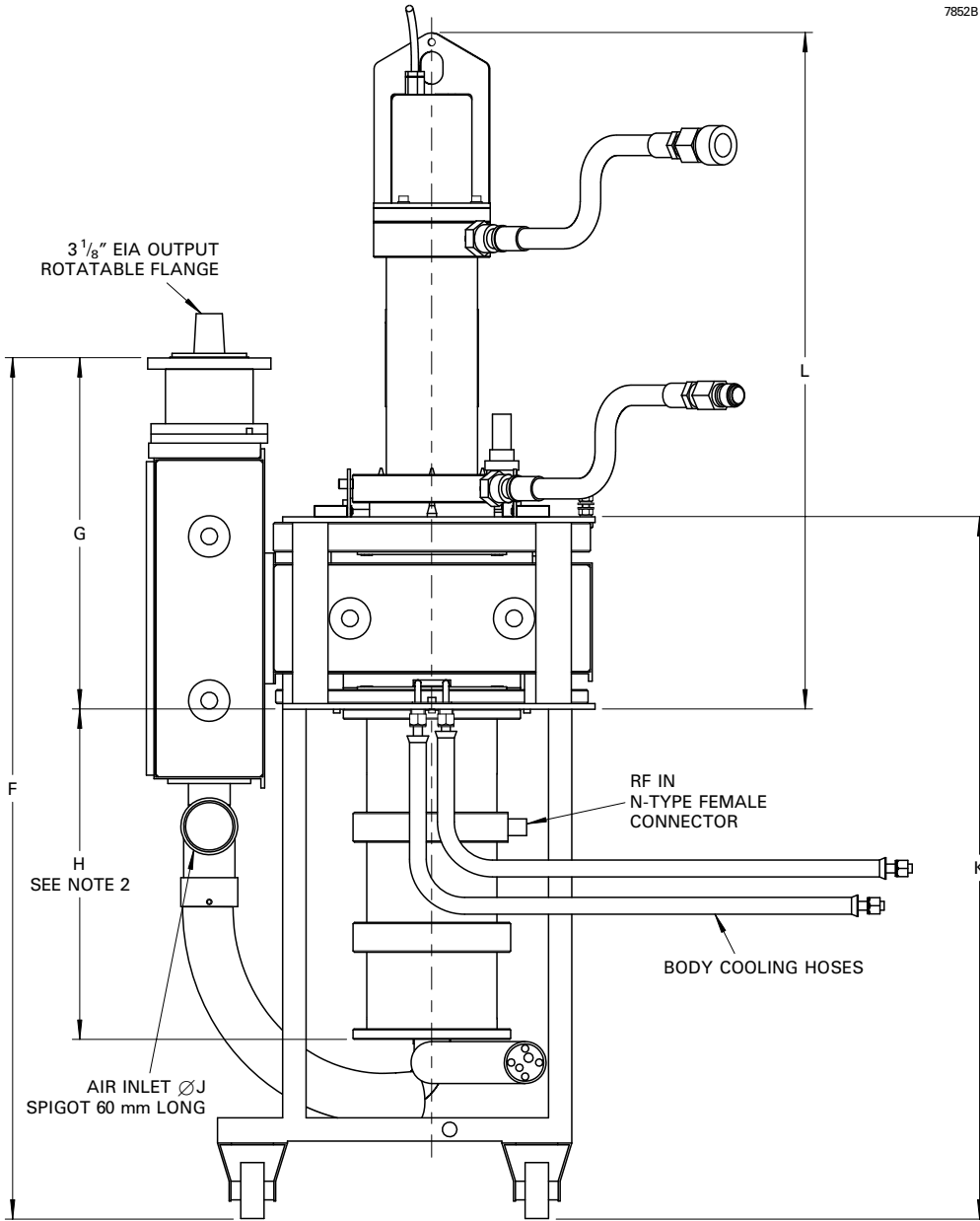


HT Leads and Terminations

Lead	Connection	Termination Type
Red	Heater supply lead	Ø6 mm ring terminal
Black	Heater/cathode supply lead	Ø6 mm ring terminal
Red	Heater monitoring lead	Ø4 mm test plug (red)
Black	Heater/cathode monitoring lead	Ø4 mm test plug (black)
Yellow	Grid supply	Ø4 mm test plug (yellow)

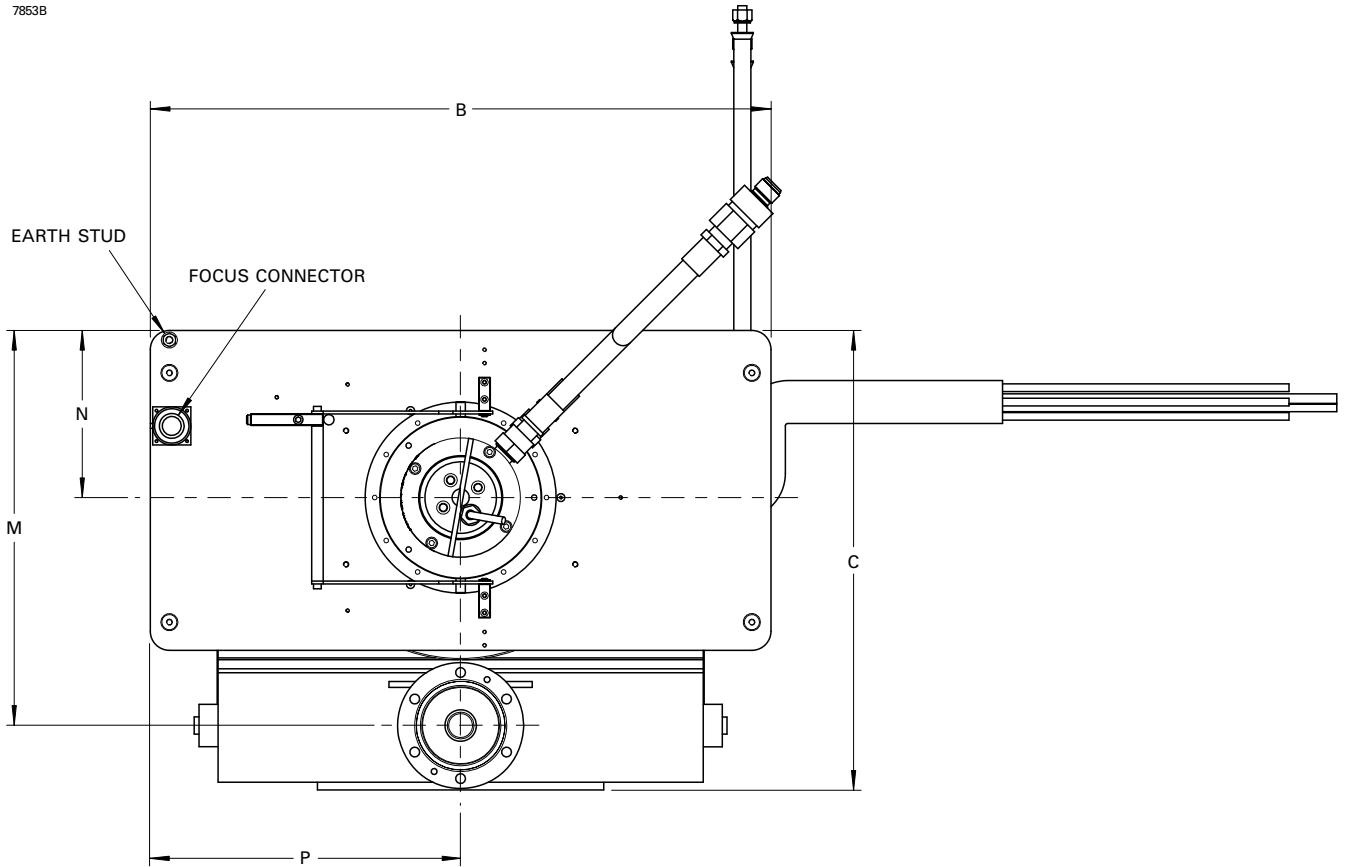
REAR VIEW OF CIRCUIT ASSEMBLY

7852B



TOP VIEW OF CIRCUIT ASSEMBLY

7853B



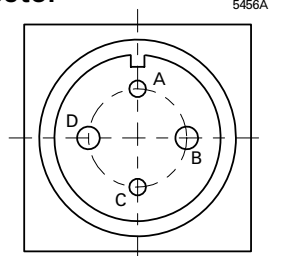
Ref	Millimetres	Inches
A	1271.0	50.039
B	650.0	25.591
C	480.0	18.898
D	1500.0	59.055
E	1000.0	39.370
F	923.55	36.360
G	377.55	14.864
H	353.75	13.927
J	56.0	2.205
K	752.25	29.616
L	725.0	28.543
M	413.75	16.289
N	175.0	6.890
P	325.0	12.795

Inch dimensions have been derived from millimetres.

View on Focus Coil Connector

Connections

Pin	Element
A	Handle switch
B	Focus coil positive
C	Handle switch
D	Focus coil negative

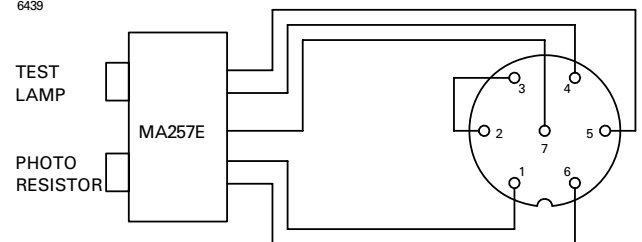


Pins A and C are connected within the circuit assembly for use as an interlock circuit; this connection may be removed by the customer if required for other purposes, but the loss of interlock should be borne in mind.

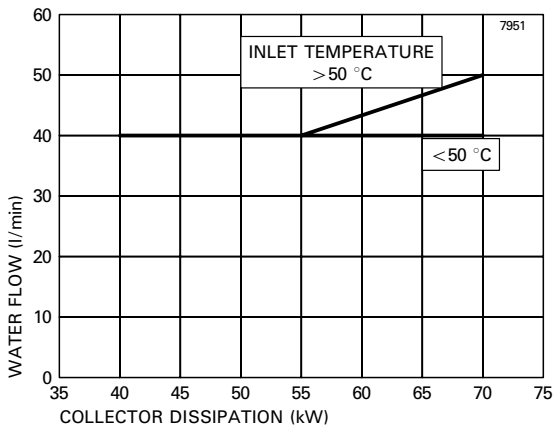
Arc Detector Connections to socket type Amphenol T3476-001

MA257E uses a panel plug and free socket.

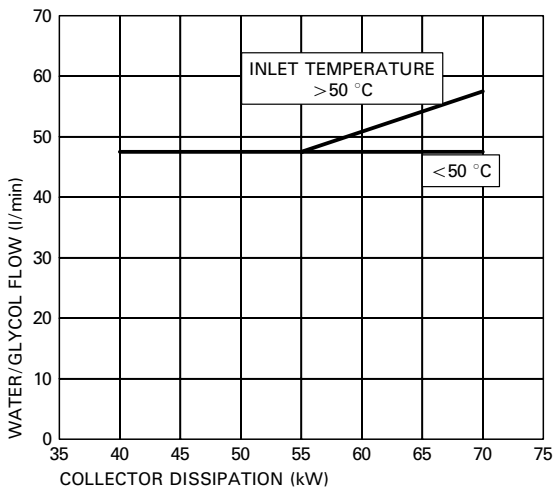
6439



MINIMUM WATER COOLING REQUIREMENTS



MINIMUM WATER/GLYCOL (50/50) COOLING REQUIREMENTS



RECOMMENDED COOLANTS

Where there is no possibility of freezing, the coolant should be good quality demineralised water. Where outside temperatures are such that pure water will freeze, then the coolant should be a mixture of equal volumes of pure demineralised water and a commercial ethylene glycol containing appropriate inhibitors and pH buffers. The concentration of glycol may be reduced in accordance with the manufacturer's instructions depending on the minimum temperature at which protection is required. When using a glycol coolant, the coolant flow rate will need to be increased to compensate for the change in heat capacity and viscosity of the mixture. As an example, for a 50/50 water/glycol mixture, the flow per unit time should be increased by 14% to maintain adequate cooling.

Glycol antifreeze mixtures are prone to thermal degradation with life, especially where the coolant is oxygenated. Consequently, return pipes should discharge below the level of the coolant in reservoir tanks to minimise oxygen take-up. Coolants such as Dowtherm SR1 and Ucartherm have been examined by e2v technologies, and are believed to contain suitable pH buffers and inhibitors to make them suitable for IOT cooling.

It is recommended that the coolant is discarded after being used for one winter season to prevent the possibility of corrosion damage occurring. The transmitter should then be flushed and operated with demineralised water during the summer, before the coolant is replaced by a fresh glycol mixture before the onset of the following winter.

The use of unbuffered and uninhibited ethylene glycol will lead to corrosion damage to both the cooling system and the IOT and should not be used.

STARTING THE TRANSMITTER AT VERY LOW AMBIENT TEMPERATURES

At very low coolant temperatures, around $-20\text{ }^{\circ}\text{C}$ ($-4\text{ }^{\circ}\text{F}$), the ability of glycol/water mixtures to remove heat is severely reduced. Before powering the IOT at full beam power, the coolant should be at a temperature of at least $5\text{ }^{\circ}\text{C}$ ($41\text{ }^{\circ}\text{F}$). Therefore, at lower temperatures it should be prewarmed by running the IOT on idle current only or by any other appropriate means. For example, allowing the coolant to circulate all night during periods of very low ambient temperature may maintain the coolant temperature around $5\text{ }^{\circ}\text{C}$, due to the dissipation of the energy consumed by the circulating pump, provided that the cooling fan on the heat exchanger is turned off.

INTELLECTUAL PROPERTY RIGHTS

This product is subject to one or more of the following US patents and corresponding patents in other countries:

US5239272	US5536992	US5548245
US5581153	US5606221	US5629582
US5691667	US5736820	US5684364
US5872428	US5796322	US6407495
US5990621	US6781313	

Whilst e2v technologies has taken care to ensure the accuracy of the information contained herein it accepts no responsibility for the consequences of any use thereof and also reserves the right to change the specification of goods without notice. e2v technologies accepts no liability beyond that set out in its standard conditions of sale in respect of infringement of third party patents arising from the use of tubes or other devices in accordance with information contained herein.