

MAXIMUM AND MINIMUM RATINGS

(Absolute values)

These ratings cannot necessarily be used simultaneously, and no individual rating should be exceeded.

| | Min | Max | | | Min | Max | |
|----------------------------------|------|-------|-------|--------------------------------|-----|-------|-------|
| Magnetic field (see note 8) | 120 | 164 | mT | Pulse duration: | | | |
| Heater voltage (see note 4) | 12.0 | 13.5 | V | at 5.0 MW peak | - | 3.0 | µs |
| Anode voltage (peak) | 34 | 55 | kV | at 2.5 MW peak | - | 5.0 | µs |
| Anode current (peak): | | | | at 1.0 MW peak | - | 5.5 | µs |
| at 5.0 MW, 3.0 µs, 158 mT | - | 265 | A | Rate of rise of voltage pulse | | | |
| at 2.5 MW, 5.0 µs, 153 mT | - | 160 | A | (see note 11) | 100 | 150 | kV/µs |
| at 1.0 MW, 5.0 µs, 135 mT | - | 100 | A | VSWR at the output coupler | | | |
| Input power (peak) (see note 9) | - | 14 | MW | (see note 3) | - | 1.3:1 | |
| Input power (mean) (see note 10) | - | 7.0 | kW | Anode water outlet temperature | - | 70 | °C |
| Duty cycle | - | 0.003 | | Pressurising of waveguide | | | |
| Tuner current | - | ±5 | A | (see note 7) | - | 448 | kPa |
| Tuning rate | 1.0 | 1.4 | MHz/A | | | | |

TYPICAL OPERATION

Operating Conditions

| | | | | |
|-------------------------|-------|--------|---------|-------|
| Heater voltage | 6.0 | 6.0 | 6.0 | V |
| Magnetic field | 135 | 153 | 158 | mT |
| Anode current (peak) | 60 | 130 | 240 | A |
| Pulse duration | 5.0 | 4.0 | 2.3 | µs |
| Duty cycle | 0.003 | 0.0012 | 0.00055 | |
| Rate of rise of voltage | 125 | 125 | 125 | kV/µs |

Typical Performance

| | | | | |
|---------------------|------|-----|-----|----|
| Anode voltage | 36.5 | 46 | 51 | kV |
| Output power (peak) | 1.0 | 2.7 | 5.5 | MW |
| Output power (mean) | 3.0 | 3.2 | 3.0 | kW |

TEST CONDITIONS AND LIMITS

The magnetron is tested in electromagnet and launching section type MG6030 to comply with the following electrical specification at 2856, 2857.7 and 2859 MHz.

Test Conditions

| | Oscillation 1 | Oscillation 2 | |
|---|---------------|---------------|------------------------|
| Heater voltage (for test) | 8 | 8 | V |
| Output window cooling air flow (max) | 0.08 | 0.08 | m ³ /minute |
| Waveguide air pressure (max) | 310 | 400 | kPa abs. |
| Electromagnet current | 23 | 32 | A |
| Anode current (peak) | 140 | 210 | A |
| Duty cycle | 0.0012 | 0.0006 | |
| Pulse duration (see note 12) | 3.0 | 3.0 | µs |
| VSWR at the output coupler | | | see note 13 |
| Rate of rise of voltage pulse (see note 11) | 140 to 150 | 140 to 150 | kV/µs |

Test Limits

| | Min | Max | Min | Max | |
|--------------------------------------|------|------|------|------|-------------|
| Anode voltage (peak) | 28 | 32 | - | - | kV |
| Output power (mean) | 1700 | - | 2500 | - | W |
| Frequency (see note 14) | 2856 | 2859 | 2856 | 2859 | MHz |
| RF bandwidth at 6 dB | - | 1.0 | - | - | MHz |
| Stability (see note 15) | - | 0.5 | - | - | % |
| Frequency pulling (see note 16) | - | 4.5 | - | - | MHz |
| Heater current | | | | | see note 17 |
| Temperature coefficient of frequency | | | | | see note 18 |

END OF LIFE CRITERIA

(Under Test conditions oscillation 2, see note 19)

| | | | |
|-----------------------------------|-----------|--------------|---------|
| Output power (mean) (see note 20) | | 2500 | W min |
| RF bandwidth at 6 dB | | 2.0 | MHz max |
| Frequency (see note 14) | | 2856 to 2859 | MHz |
| Stability | | 1.0 | % max |

NOTES

1. The ideal supply would be an amplifier that can be driven positive or negative by a DC input signal.
2. The frequency range 2856 to 2859 MHz is achieved at all conditions. The frequency at any tuner setting will increase by 630 kHz per kW reduction in mean input power. For other conditions, contact E2V Technologies.
3. The magnetron must be protected from the load by an isolator or circulator. The maximum VSWR at 2856 MHz is 1.3:1 and must not exceed 2:1 over the range 2800 to 3500 MHz.
4. With no anode input power.

Prior to the application of anode voltage, the cathode must be heated to the required initial temperature by the application of 13 V to the heater for at least six minutes. Within 30 seconds after the application of anode voltage the heater must be reduced as follows:

| Mean input power (kW) | Heater voltage (V) |
|--------------------------|-----------------------|
| 0-2 | 12.0 |
| 2-4 | 10.0 |
| 4-6 | 8.0 |
| 6-7 | 6.0 |

The heater voltage must be maintained within $\pm 5\%$ of the specified value. A rectified supply is recommended for operating the magnetron. The use of any AC supply may cause frequency modulation. E2V Technologies should be consulted if the magnetron is to be operated with any supply other than DC.

A coaxial lead must be used to connect the magnetron to the filament transformer or pulse transformer, the outer being the cathode pulse connection. Capacitors must be used to prevent pulse voltages being applied to the heater, either from unbalance of a bifilar pulse transformer or by induction from the pulse current; this protection must be effective both for normal operation and in the event of the magnetron sparking. Capacitors up to 10 μF may be required, shunted by small high frequency capacitors.

5. A positive current results in a frequency increase.
6. The coil will overheat without the specified cooling through the water jacket.
7. The minimum air pressure in the output waveguide can vary with the peak power level at which the magnetron is operated. It should not be less than 172 kPa at 1 MW, 241 kPa at 3 MW and 310 kPa at 5 MW. At the maximum pressure of 448 kPa the leakage will not exceed 0.03 litre (NTP) per minute.

The output waveguide may also be filled with an arc suppressant gas, such as SF_6 to a minimum static gauge pressure of 28 kPa. When using such a gas, it is mandatory that the waveguide be emptied and refilled with new arc suppressant gas at regular intervals to avoid possible dilution or contamination. The interval should not exceed 2 months or 100 hours of high voltage application, whichever is reached first. The gas should also be replaced immediately if arcing in the output waveguide is suspected, as such arcing may cause loss of stability in the magnetron.

8. Measured at the point indicated on the outline drawing; the axial distribution must be that produced by the MG6030 electromagnet or authorised equivalent.
9. The modulator must have an efficient overswing damping system, such that the pulse energy delivered to the magnetron following an arcing pulse does not appreciably exceed the normal pulse energy. An interlock relay must be used to trip the modulator in the event of excessive magnetron arcing, preferably operated by the overswing diode current. The trip should operate if the magnetron arcs for 25 consecutive pulses. Positive overswing at the end of the voltage pulse should be less than 10% of drive voltage.

10. The various parameters are related by the formula:

$$P_i = i_{apk} \times V_{apk} \times D_u$$

where P_i = mean input power in watts

i_{apk} = peak anode current in amperes

V_{apk} = peak anode voltage in volts

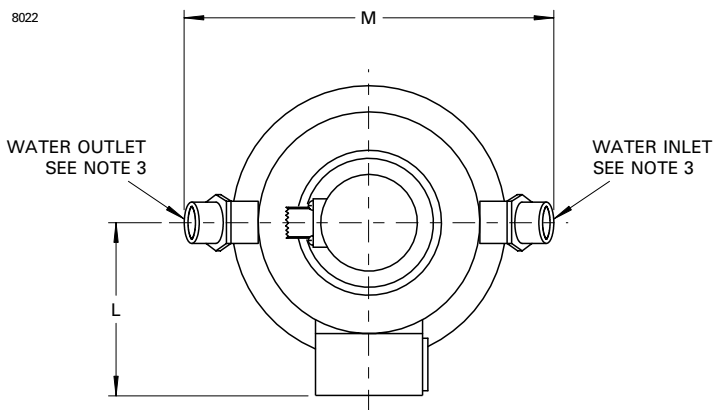
and D_u = duty cycle

11. The rate of rise of voltage is defined as the steepest tangent to the leading edge of the voltage pulse above 80% amplitude.
12. Tolerance $\pm 10\%$.
13. The load termination of the magnetron during this test is a waveguide with a VSWR of less than 1.1:1 at the oscillation frequency and less than 1.5:1 between 3200 and 3500 MHz.
14. The magnetron tuning range includes the two limits given.
15. Pulses are defined as missing when the RF energy level is less than 70% of the normal energy level in the frequency range 2852 to 2861 MHz. Missing pulses are expressed as a percentage of the number of input pulses applied during any 5 minute interval of a 10 minute test period.
16. Measured with a VSWR of 1.3:1 at the frequency of oscillation, varied through all phases.
17. Measured with a heater voltage of 13 V and no anode input power, the heater current limits are 13 A minimum, 15 A maximum.
18. Design test only. The maximum frequency change with anode temperature change (after warming) is $-0.05 \text{ MHz}/^\circ\text{C}$.
19. The heater will be operated at 8 V for the duration of the life test and for subsequent specification tests.
20. If the mean output power falls below 2500 W, the duty cycle may be reduced to 0.0005.

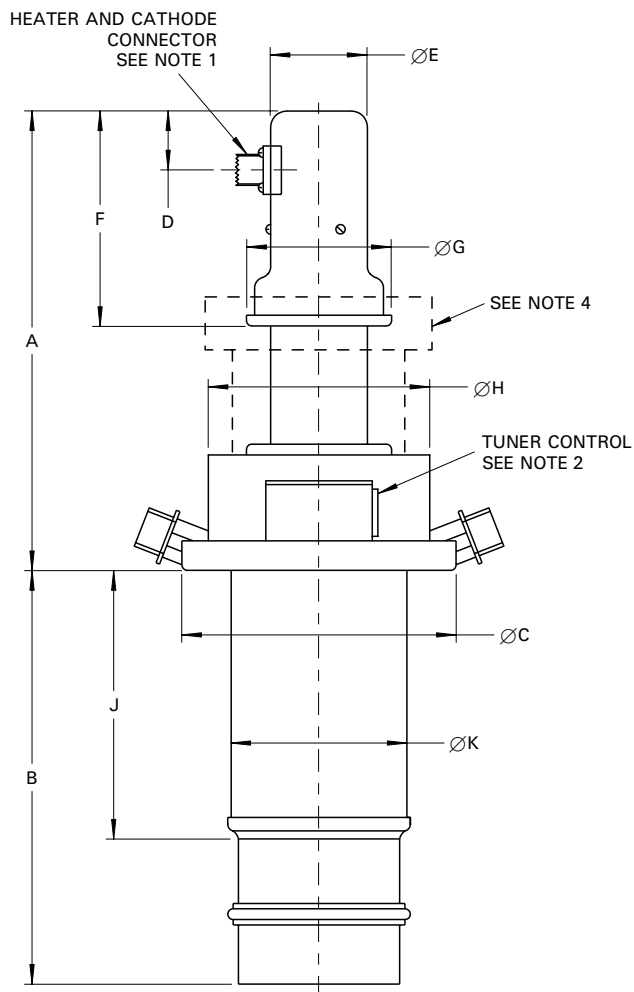
OUTLINE

(All dimensions without limits are nominal)

8022



| Ref | Millimetres |
|-----|--------------|
| A | 254.0 max |
| B | 222.3 max |
| C | 146.7 max |
| D | 33.02 ± 3.18 |
| E | 57.15 max |
| F | 120.7 |
| G | 76.2 max |
| H | 116.2 |
| J | 144.5 |
| K | 101.6 max |
| L | 94.0 max |
| M | 190.5 |



Outline Notes

1. Heater-cathode connector is a UHF 50 Ω coaxial socket; the corresponding plug is MIL STD PL259 with PTFE insulator. The cathode connection is the outer shell of the socket.
2. The tuner connector is a NEUTRIK Speakon 4-pole (NL4MP). The mating plug required is a NEUTRIK Speakon NL4FC. No connection must be made to pins +2 or -2 as these could be used internally. The coil is connected between pins -1 and +1, equivalent to negative and positive drive current. Neither side is earthed and the coil is isolated by > 1 MΩ from ground.
3. Water connections 1/2-inch BS screwed pipe to BS 2051 part 2.
4. Radiation absorber MG6016 optional accessory.

HEALTH AND SAFETY HAZARDS

E2V Technologies magnetrons are safe to handle and operate, provided that the relevant precautions stated herein are observed. E2V Technologies does not accept responsibility for damage or injury resulting from the use of electronic devices it produces. Equipment manufacturers and users must ensure that adequate precautions are taken. Appropriate warning labels and notices must be provided on equipments incorporating E2V Technologies devices and in operating manuals.



High Voltage

Equipment must be designed so that personnel cannot come into contact with high voltage circuits. All high voltage circuits and terminals must be enclosed and fail-safe interlock switches must be fitted to disconnect the primary power supply and discharge all high voltage capacitors and other stored charges before allowing access. Interlock switches must not be bypassed to allow operation with access doors open.



RF Radiation

Personnel must not be exposed to excessive RF radiation. All RF connectors must be correctly fitted before operation so that no leakage of RF energy can occur and the RF output must be coupled efficiently to the load. It is particularly dangerous to look into open waveguide or coaxial feeders while the device is energised. Screening of the cathode sidearm of high power magnetrons may be necessary.



X-Ray Radiation

High voltage magnetrons emit a significant intensity of X-rays not only from the cathode sidearm but also from the output waveguide. These rays can constitute a health hazard unless adequate shielding for X-ray radiation is provided. This is a characteristic of all magnetrons and the X-rays emitted correspond to a voltage much higher than that of the anode.



Toxic Material

This device contains fluorinated elastomers (Viton O-rings). If exposed to temperatures above 400 °C these degrade and form hydrofluoric acid. This is a serious health hazard if skin contact occurs. Access to these components is not possible unless the device is damaged or dismantled.

Whilst E2V Technologies has taken care to ensure the accuracy of the information contained herein it accepts no responsibility for the consequences of any use thereof and also reserves the right to change the specification of goods without notice. E2V Technologies accepts no liability beyond that set out in its standard conditions of sale in respect of infringement of third party patents arising from the use of tubes or other devices in accordance with information contained herein.